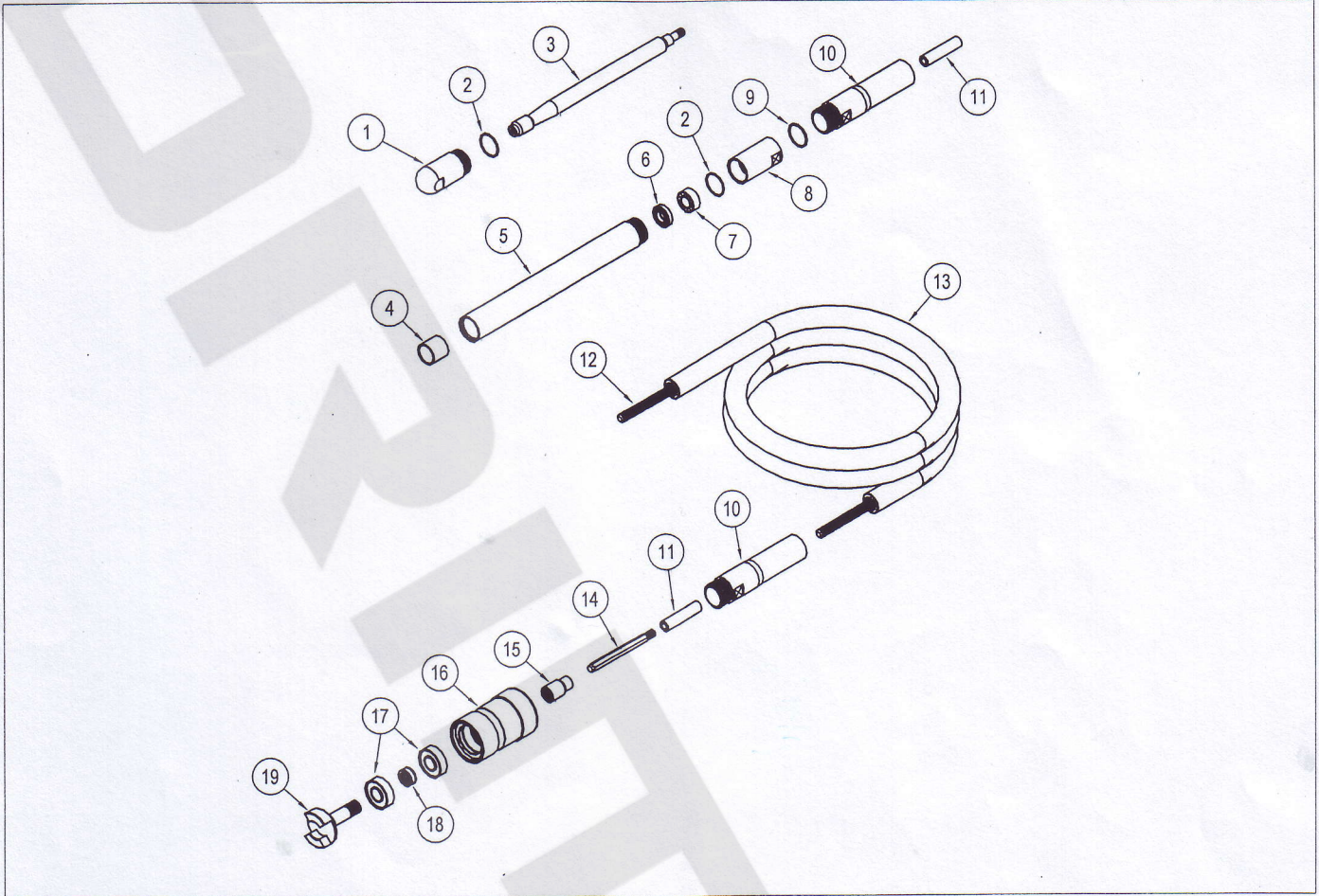


PART LIST FOR JHI38SL CONCRETE VIBRATOR (7408)



NO.	PART NO.	DESCRIPTION	QTY
1	7405-001	End Cap	1
2	4908-20026	O-Ring (2.0x 26)	2
3	7400-003	Vibrator Shaft	1
4	7400-004	Outer Tube Bush	1
5	7405-005	Outer Tube	1
6	4700-15287	Oil Seal (TC 15 x 28 x 7)	1
7	4102-02200	Bearing 2200-2RS	1

NO.	PART NO.	DESCRIPTION	QTY
8	7405-010	Tube Connector	1
9	4908-18029	O-Ring 1.8 x 29	1
10	4901-00001	End Casing	2
11	4912-00013	Shaft Joint A3	2
12	4914-11280	Flexible Shaft 12MM x 8.19M	1
13	4915-13280	Outer Casing 32MM x 8M	1
14	4904-50006	Hexagonal End Shank	1

4905-521 (Hose Connector Assembly)

NO.	PART NO.	DESCRIPTION	QTY
15	4903-50006	Hexagonal End Cap	1
16	4905-00021	Hose Connector	1
17	4102-06203	Bearing (6203 2RS)	2
18	7400-023	Bush	1
19	4911-01765	Shaft Coupling	1

**Feature and Design are subjected to change without prior notice.

PL^7408^3^00