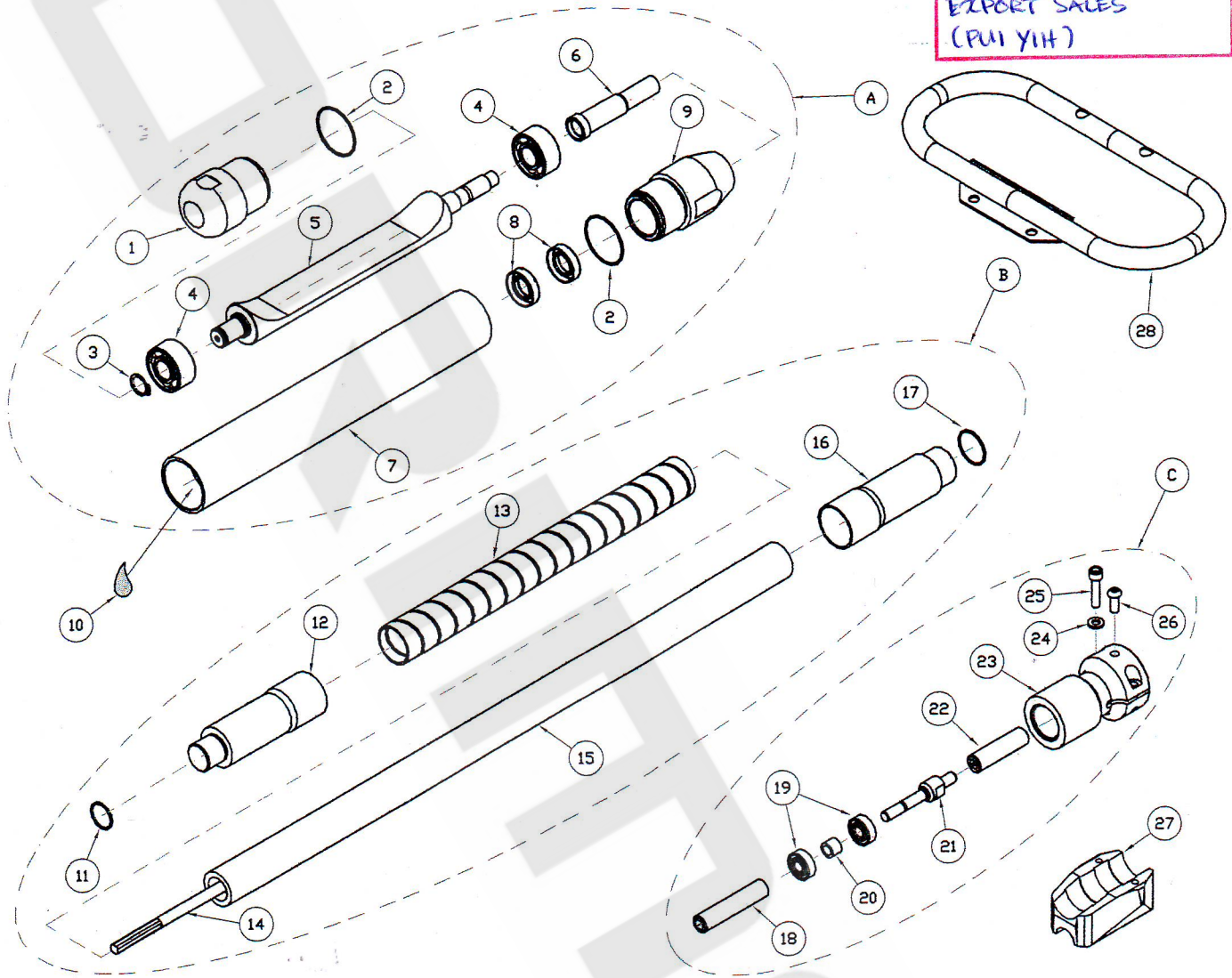


PART LIST FOR EV45 PORTABLE VIBRATOR

Distributed To
EXPORT SALES
(PUI YIH)



A. VIBRATOR HEAD ASSEMBLY (7365-501)

No.	Part no.	Description	Qty.	Remark
1	7365-001	End Cap	1	
2	4908-15036	O-Ring 1.5 X 36	2	
3	4900-00015	Circlip A15	1	
4	4000-03202	Bearing 3202	2	
5	7365-003	Rotor Shaft	1	
6	7365-004	Rotor Connector	1	
7	7365-002	Barrel	1	
8	4701-16287	Oil Seal TC 16x28x7	2	
9	7365-005	Oil Seal Holder	1	
10	4931-00530	Oil SAE 5W-30	50ml	

C. CONNECTOR ASSEMBLY (7365-503)

No.	Part no.	Description	Qty.	Remark
18	7365-010	Flexible Connector	1	
19	4002-00608	Bearing 608 2RS	2	
20	7365-011	Spacer	1	
21	7365-014	Connector Joint	1	
22	7365-015	Connector	1	
23	7365-013	Split Connector	1	
24	4913-10006	Spring Washer M6	2	
25	4401-06025	Soc Cap SCR HT12.9 Plain M6x25L	2	
26	4481-06016	Soc Button Hd Cap SCR Plain M6x16L	1	
-				

B. FLEXIBLE CONDUIT ASSEMBLY (7365-502)

No.	Part no.	Description	Qty.	Remark
11	4908-15019	O-Ring 1.5 X 19	1	
12	7365-006	Front End Casing	1	
13	4921-00130	Spring Liner	1	
14	4914-40806	Flexible Shaft	1	
15	4915-12806	Outer Casing	1	
16	7365-009	Back End Casing	1	
17	4908-15025	O-Ring 1.5 x 25	1	

No.	Part no.	Description	Qty.	Remark
27	7365-050	Mounting Block	1	
28	7365-016	Roll Bar	1	

**Feature and Design are subjected to change without prior notice.