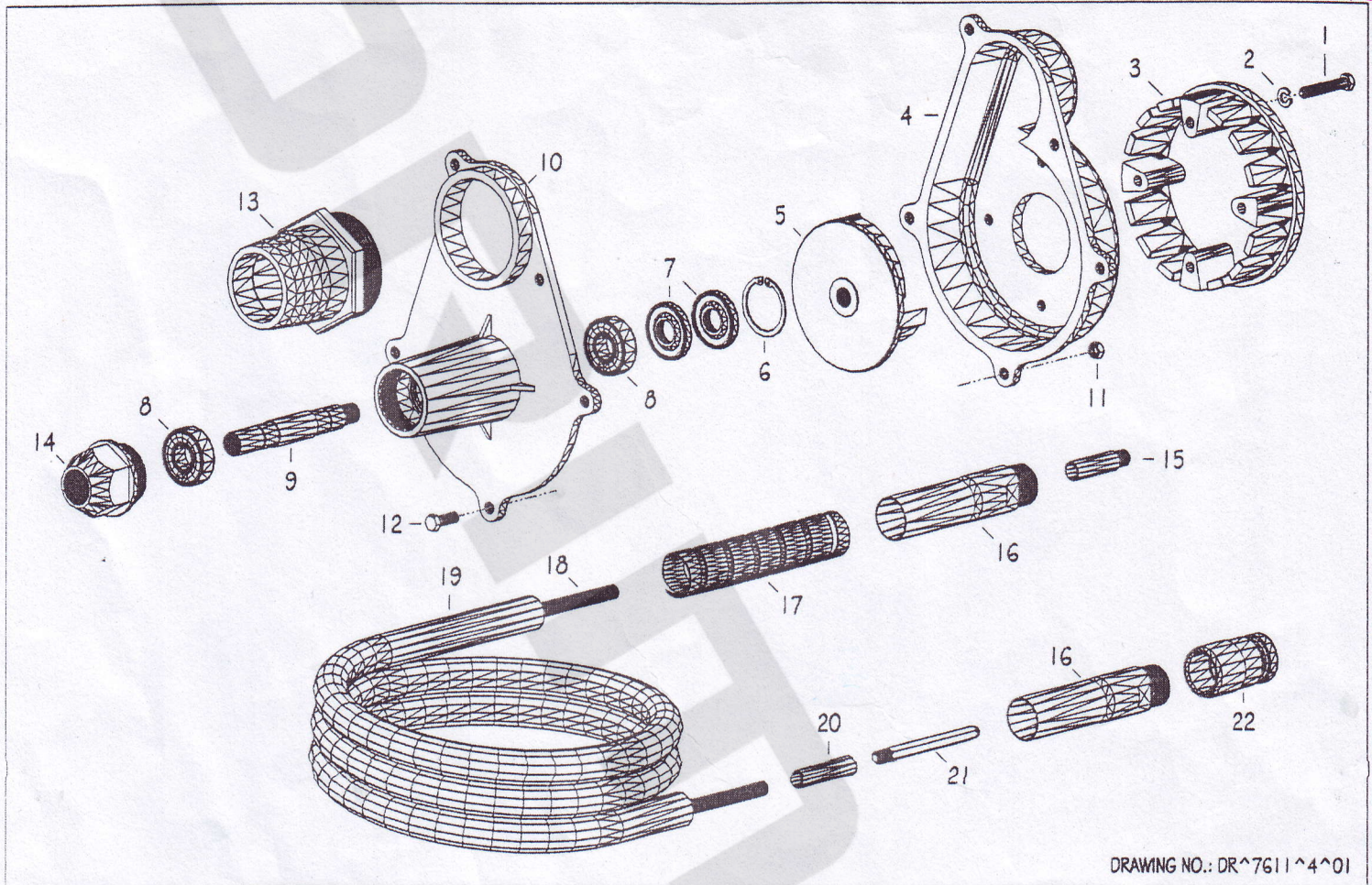


PARTS LIST FOR SUBMERSIBLE PUMP JHIP3P (7611)

Distributed To



DRAWING NO.: DR^7611^4^01

refer to DRAWING NO. : DR^7611^4^01

NO.	PART NO.	DESCRIPTION	QTY
1	4234-05036	Bolt (5/16" x 2 1/4" BSW)	4
2	4913-50005	Spring washer (5/16")	4
3	7610-003	Pump base	1
4	7610-004	Middle body	1
5	7610-005	Impeller	1
6	4900-10048	Circlip (B 48)	1
7	4700-20477	Oil seal (TC 20 x 47 x 7)	2
8	4102-06204	Ball bearing (6204 2RS)	2
9	7610-009	Pump shaft	1
10	7610-010	Upper body	1
11	4334-00005	Nut (5/16")	5
12	4234-05016	Bolt (5/16" x 1" BSW)	5

NO.	PART NO.	DESCRIPTION	QTY
13	7610-013	Pump output	1
14	7610-014	Pump nut	1
15	4912-00012	Shaft joint A2	1
16	4901-00001	End casing (local market)	2
17	4921-00020	Spring liner (spring market)	1
18	4914-11350	Flexible shaft (13mm x 5.0m)	1
19	4915-13250	Outer casing (32mm x 5.0m)	1
20	4912-00014	Shaft joint A4	1
21	4904-50006	Hexagonal end shank	1
22	4905-00002	Hose connector	1

22 APR 2003