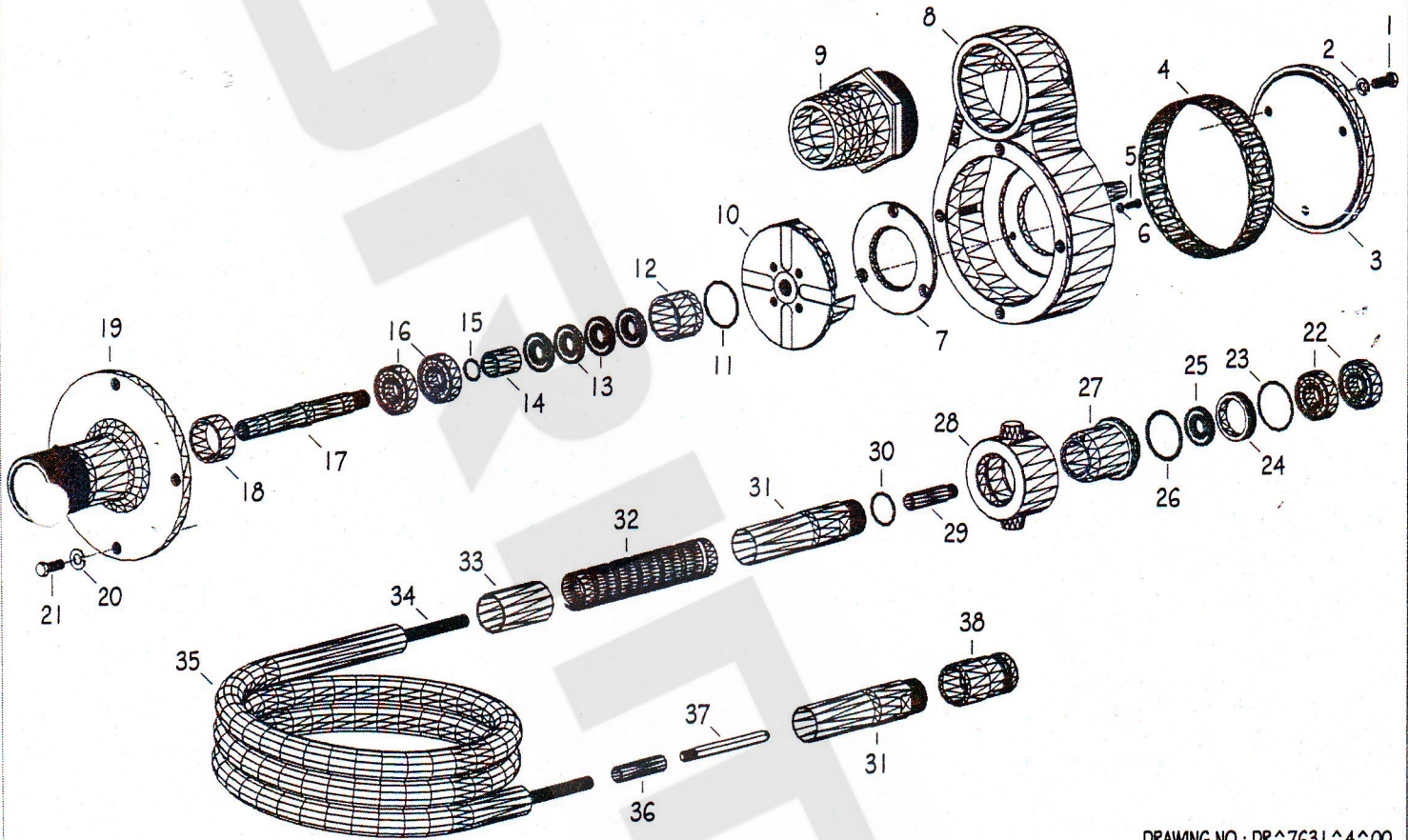


PARTS LIST FOR DRIMAS® SUBMERSIBLE PUMP HP80P (7631)



DRAWING NO.: DR^7631^4^00

refer to DRAWING NO. : DR^7631^4^00

NO.	PART NO.	DESCRIPTION	QTY
1	4211-10025	Bolt (M10 x 25)	3
2	4913-10010	Spring washer (M 10)	3
3	7630-003	Filter cover	1
4	7630-004	Filter	1
5	4211-06012	Bolt (M6 x 12)	3
6	4902-10006	Washer (M 6)	3
7	7630-007	Side plate	1
8	7630-008	Middle body	1
9	7610-013	Pump output	1
10	7630-010	Impeller	1
11	4908-20042	O-ring (2.0 x 42)	1
12	7630-012	Oil seal holder	1
13	4700-25387	Oil seal (TC 25 x 38 x 7)	4
14	7630-014	Inner spacer	1
15	4908-20015	O-ring (2.0 x 15)	1
16	4104-06204	Bearing (6204 ZZ)	2
17	7630-017	Pump shaft	1
18	7630-018	Collar	1
19	7630-019	Upper body	1

NO.	PART NO.	DESCRIPTION	QTY
20	4913-10010	Spring washer (M 10)	4
21	4211-10025	Bolt (M10 x 25)	4
22	4104-06204	Bearing (6204 ZZ)	2
23	4908-20042	O-ring (2.0 x 42)	1
24	7630-024	Oil seal holder	1
25	4700-20357	Oil seal (TC 20 x 35 x 7)	1
26	4908-25043	O-ring (2.5 x 43)	1
27	7630-027	Hose coupling	1
28	7625-023	Lock nut	1
29	4912-00006	Shaft joint B6	1
30	4908-18029	O-ring (1.8 x 29)	1
31	4901-00002	End casing	2
32	4921-00010	Spring liner	1
33	4921-00011	Spring liner clamp	1
34	4914-01355	Flexible shaft (13mm x 5.5m)	1
35	4915-13255	Outer casing (32mm x 5.5m)	1
36	4912-00014	Shaft joint A4	1
37	4904-50006	Hexagonal end shank	1
38	4905-00002	Hose connector	1

* Features and design are subject to change without notice