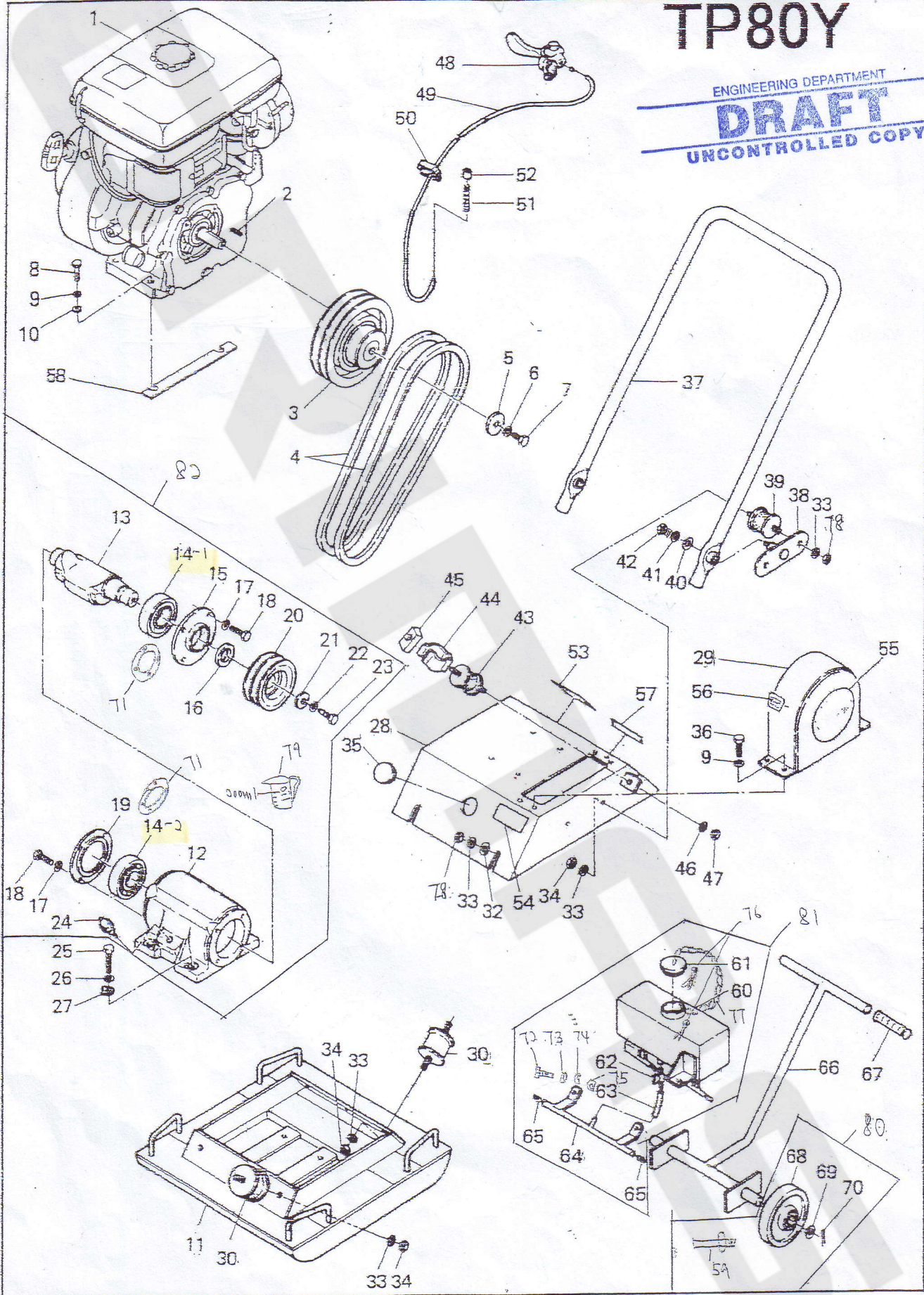


TP80Y

ENGINEERING DEPARTMENT

DRAFT
UNCONTROLLED COPY



Part List for Plate Compactor TP80Y

No	Parts No	Description	Quantity/Unit					Remark	
			TP80Y	TP80Y-EYC	TP80Y-EHC	TP80Y-EYM	TP80Y-T		BR80
1		Engine							
2		Key							
3	4732-14019	Clutch Pulley,19mm					1	1	
4	4918-00029	V-Belt,A29					2		
4	4918-00030	V-Belt,A30						2	
5	4902131023	Washer 3x10x23							
6	4913-10008	Spring Washer,M8							
7	4202-05016	Hex Bolt,5/16"x1" UNF							
8		Bolt,M8x40,4t							
9	4913-10008	Spring Washer,M8					4	4	
10		Washer,M8							
11	6780-010	Compactor Base		1	1	1			Epoxy Black,PR12-710
11	6780-011	Compactor Base	1				1	1	Epoxy Black,PR12-710
12	6780-012	Rotor Housing					1	1	
13	6780-013	Vibrator Shaft					1	1	
14-1	4013-00307	Bearing,NF307 C3					1	1	
14-2	4013-06307	Bearing,6307 C3					1	1	
15	6780-015	Front Cover					1	1	
16	4700-30458	Oil seal (TC30x45x8)					1	1	
17	4913-00008	Spring Washer,M8 (B)					8	8	
18	4201-08025	Hex Bolt,M8x25 (B)					8	8	
19	6780-019	Rear Cover					1	1	
20	6780-020	Shaft Pulley					1	1	
21	4902161035	Washer,6x10.5x35					1	1	
22	4913-00010	Spring Washer,M10(B)					1	1	
23	4201-10030	Hex Bolt,M10x30 (B)					1	1	
24	6780-024	Oil Plug					1	1	
25	4211-12040	Hex Bolt,M12x40					4	4	
26	4913-10012	Spring Washer,M12					4	4	
27	4902-10012	Washer,M12					4	4	
28	6780-027	Engine Base		1		1			Epoxy Grey,PR11-89888
28	6780-028	Engine Base	1		1		1		Epoxy Grey,PR11-89888
28	6784-028	Engine Base						1	Epoxy,Sin Yuan Yellow
29	6780-029	Pulley Cover	1	1	1	1	1		Epoxy Blue,PR11-3416
29	6784-029	Pulley Cover						1	Epoxy,Sin Yuan Yellow
30	6780-030	Rubber Isolator,Engine	4	4	4	4	4	4	
31		Earth Spring							
32	4902-10010	Washer,M10					8	8	
33	4913-10010	Spring Washer,M10					16	16	
34	4311-00010	Hex Nut,M10					8	8	
36	4211-08016	Bolt,M8x16					4	4	
37	6780-037	Operation handle					1		Epoxy Black,#706
37	6784-037	Operation Handle						1	Chrome
38	6780-038	Handle Bracket					2		Epoxy Black,#706
38	6784-038	Handle Bracket						2	Chrome
39	6780-039	Rubber Isolator,Handle	4	4	4	4	4	4	
40	4902-10008	Washer,M8					2	2	
41	4913-10008	Spring Washer,M8					2	2	
42	4211-08016	Hex Bolt,M8x16					2	2	

4902116925

handle
handle support

Part List for Plate Compactor TP80Y

No	Parts No	Description	Quantity/Unit						Remark
			TP80Y	TP80Y-EYC	TP80Y-EHC	TP80Y-EYM	TP80Y-T	BR80	
43	6730-028	Handle Absorber <i>change to 6730-039 (Pin:09033)</i>					2	2	
44	6730-029	Handle Catcher					2	2	
45	6730-030	Flat Lock Nut					2	2	
46	4913-10010	Spring Washer,M10					2	2	
47	4311-00010	Nut,M10					2	2	
48		Throttle Lever							
49		Throttle Wire							
50		Wire Support							
51		Return Spring							
52		Metal							
53		Name Plate							
54		Name Plate							
55		Label							
56		Sticker,V-Belt Size							
57		Caution							
58		Spacer							
59	6780-059	Wheel Shaft		2	2	2			Blue Zinc
60	6780-060	Water Tank		1	1				Epoxy Grey,PR11-89888
61	6780-061	Cap		1	1				
62	6780-062	Cock		1	1				
63	6780-063	Water hose		1	1				
64	6780-064	Water Diffuser		1	1				Blue Zinc
65	4928-02028	Copper Plug (PF 1/8x28TPI)		2	2				
66		Frame							
67		Grip							
68	7130-999	Wheel 8"		2	2	2			
69	6780-069	Washer		2	2	2			Blue Zinc
70	4909-20440	Cotter Pin 4x40mm		2	2	2			
71	6780-017	Gasket					2	2	
72	4211-10025	Hex Bolt,M10x25							
73	4913-10010	Spring Washer,M10							
74	4902-10010	Washer,M10							
75	4311-00010	Hex Nut,M10							
76	4909-20320	Cotter Pin 1/8"x3/4"		2	2				
77	6780-070	Cap Chain		1	1				
78	4341-00010	Nylon Nut,M10					8	8	
79	4931-00140	Gear Oil #SAE140					200ml	200ml	
80	6780-065	Wheel Set Assembly							
81	6780-905	Water Tank Assembly							> steel
82	6780-906	Rotor Assembly							Paint,Black

*Features and design are subject to change without notice