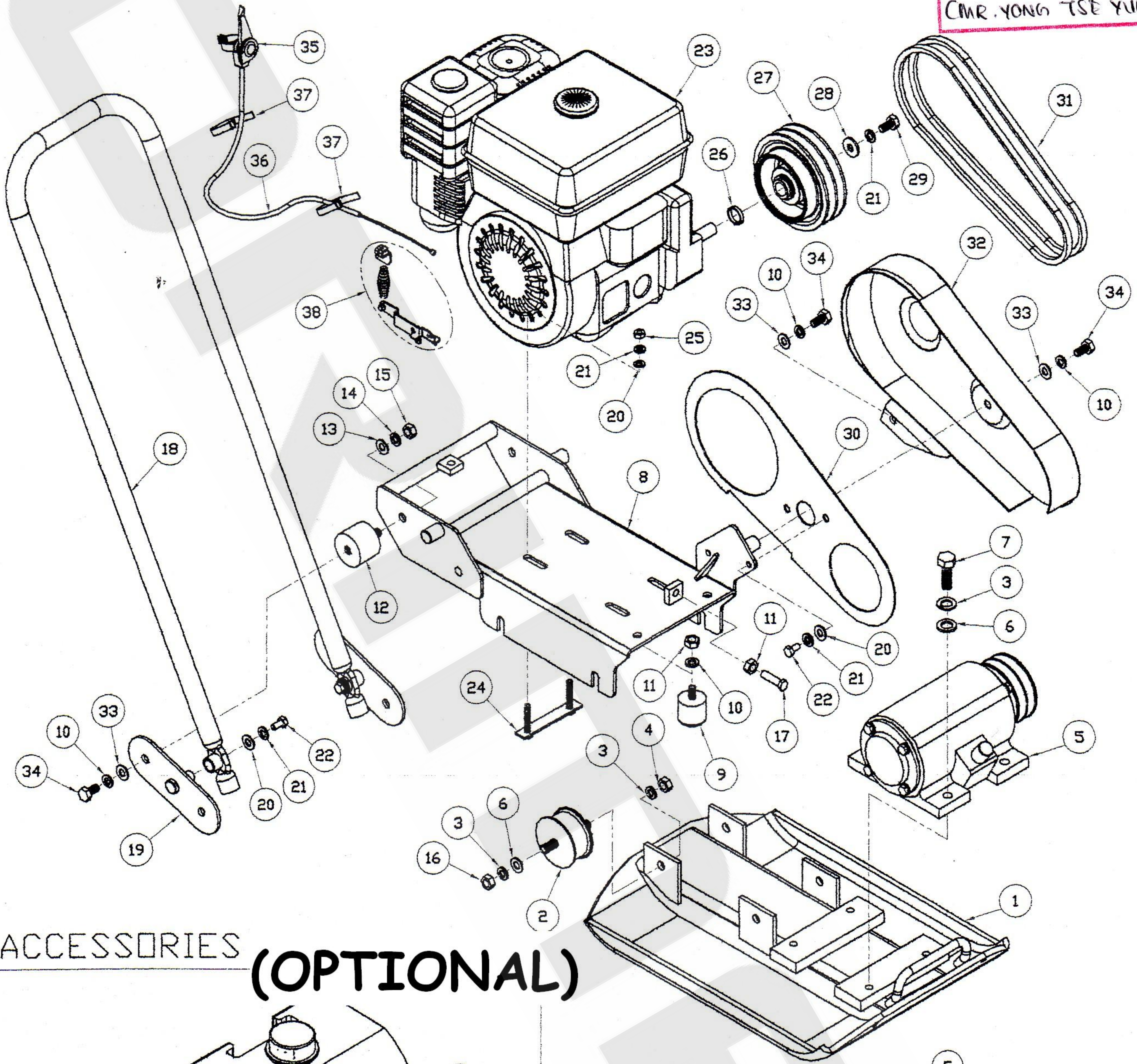
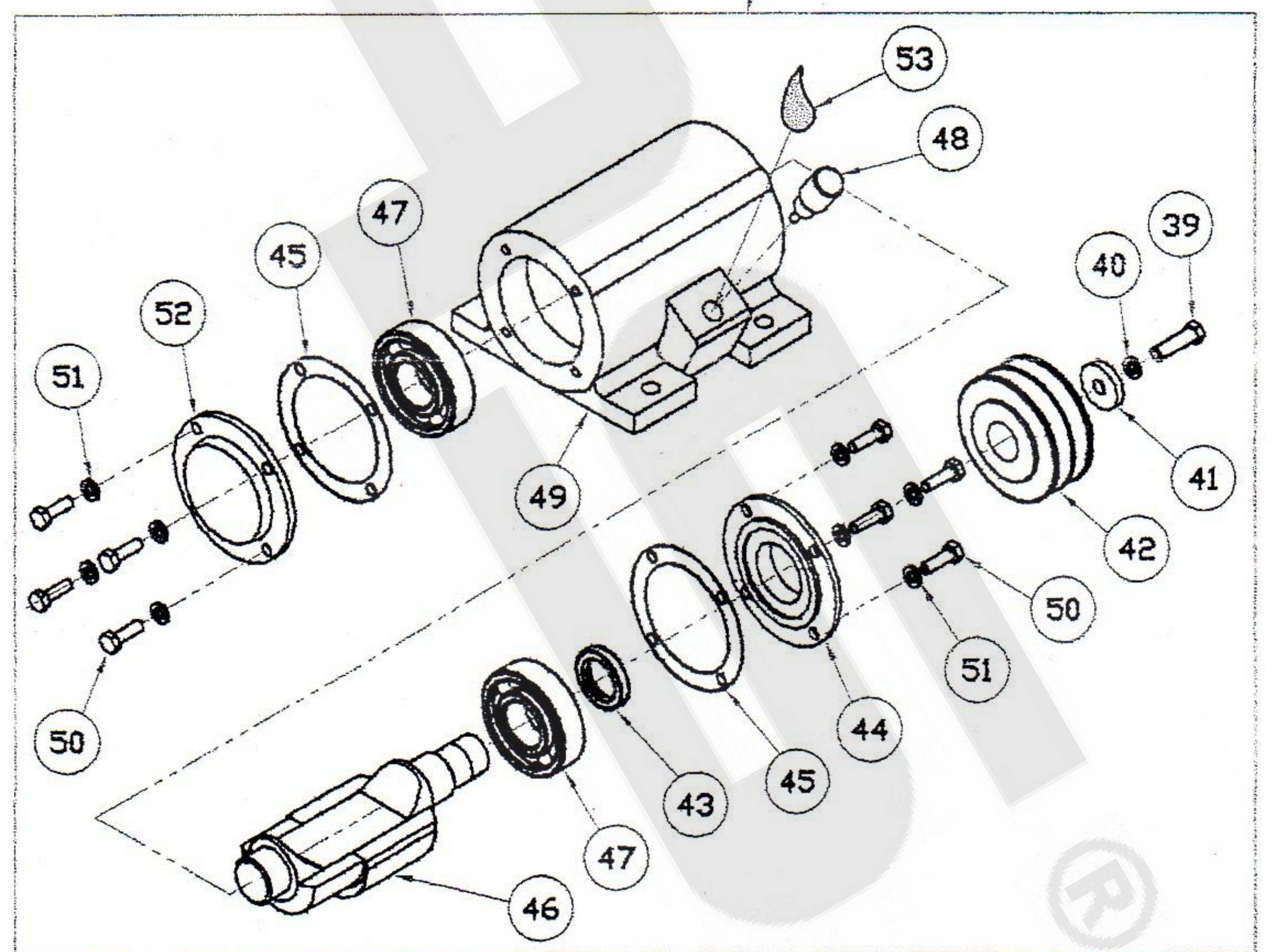
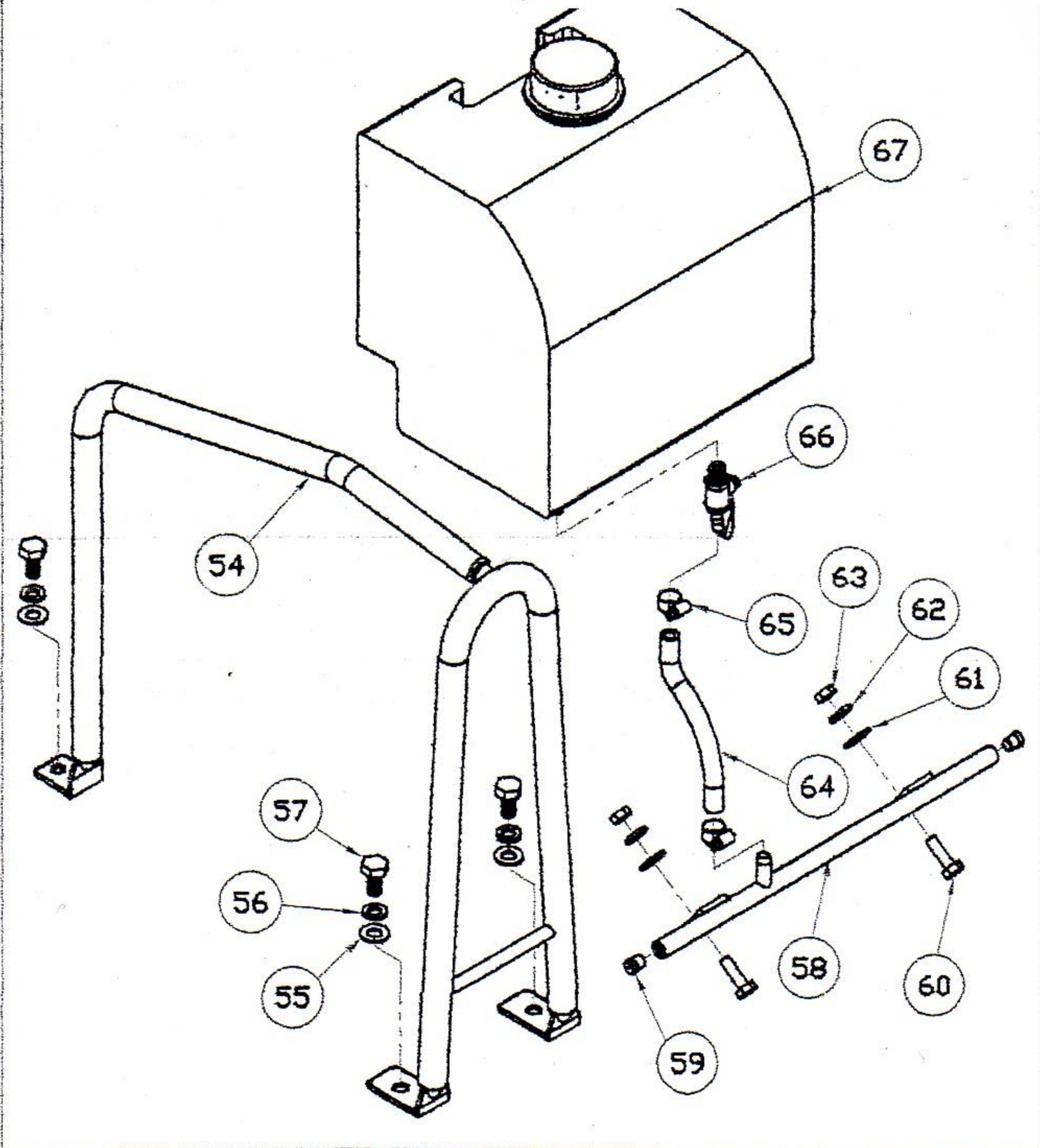


PART LIST FOR SRP60

Distributed To
EXPORT MANAGER
(MR. YONG TSE YUN)



ACCESSORIES (OPTIONAL)



PART LIST FOR SRP60

Distributed To
EXPORT MANAGER
(MR. YONG TSE YUN)

No.	Part no.	Description	Qty.	Rem.
1	6781-011	Compactor Base, TPD60	1	
2	6781-032	Rubber Isolator, Engine	4	
3	4913-10012	Spring Washer STL ZP M12	12	
4	4311-00012	Hex Nut Zinc M12	4	
5	6700-501	Rotor Assembly SPR60	1	
6	4902-10012	Flat Washer STL ZP M12	8	
7	4211-12040	Hex Bolt zinc M12x40L	4	
8	6700-040	Engine Mounting Frame	1	
9	6720-027	Frame Absorber	1	
10	4913-10010	Spring Washer STL ZP M10	7	
11	4311-00010	Hex Nut ZP M10	2	
12	6720-017	Side Absorber	4	
13	4902-60007	Flat Washer STL ZP 7/16"	4	
14	4913-60007	Spring Washer STL ZP 7/16"	4	
15	4343-00007	Nylon Nut UNC 7/16"	4	
16	4361-00012	Nylon Lock Nut M12	4	
17	4211-10045	Hex Bolt Zinc M10x45L	1	
18	6700-050	Handle Bar	1	
19	6730-025	Handle Plate	2	

No.	Part no.	Description	Qty.	Rem.
20	4902-10008	Flat Washer STL ZP M8	8	
21	4913-10008	Spring Washer STL ZP M8	9	
22	4211-08016	Hex Bolt Zinc M8x16L	4	
23	refer table below	Engine	1	
24	6740-008	Engine Bracket Bolt	2	
25	4311-00008	Hex Nut M8	4	
26	6740-059	Engine Collar	1	
27	refer table part (a)	Clutch Pulley	1	
28	4902-60306	Flat Washer STL ZP 3/8", THK 3MM	1	
29	refer table part (b)	Bolt	1	
30	6700-048	Inner Cover	1	
31	4918-00033	V-Belt (A-33)	2	
32	6700-047	Belt Cover	1	
33	4902-10010	Flat Washer STL ZP M10	6	
34	4211-10020	Hex Bolt Zinc M10X20L	6	
35	refer table part (c)	Throttle Lever	1	
36	4916-01156	Throttle Cable	1	
37	4910-00006	Cable Tie L8"/200MM W5MM White	2	
38	refer table part (d)	Pull Back Spring	1	

6700-501 ROTOR ASSEMBLY SRP60

No.	Part no.	Description	Qty.	Rem.
39	4211-10025	Hex Bolt Zinc M10x25L	1	
40	4913-00010	Spring Washer M10	1	
41	4902161035	Flat Washer STL ZP 6X10.5X35	1	
42	6780-020	Shaft Pulley	1	
43	4700-30458	Oil Seal (TC30x45x8)	1	
44	6780-015	Front Cover	1	
45	6780-017	Gasket	2	
46	6700-013	Rotor Shaft	1	

No.	Part no.	Description	Qty.	Rem.
47	4013-06307	Bearing 6307 C3	2	
48	6780-024	Oil Plug	1	
49	6780-012	Rotor Housing	1	
50	4201-08025	Hex Bolt M8x25L	8	
51	4913-00008	Spring Washer M8	8	
52	6780-019	Rear Cover	1	
53	4931-00140	Gear Oil SAE 140	200ml	

ACCESSORIES

No.	Part no.	Description	Qty.	Rem.
54	6700-068	Protection Guard	1	
55	4902-10010	Flat Washer STL ZP M10	3	
56	4913-10010	Spring Washer STL ZP M10	3	
57	4211-10020	Hex Bolt M10x20L	3	
58	6700-077	Water Diffuser	1	
59	4928-02028	Copper Plug (PF1/8X28TPI)	2	
60	4211-08025	Hex Bolt M8x25L	2	

No.	Part no.	Description	Qty.	Rem.
61	4902-10008	Flat Washer STL ZP M8	2	
62	4913-10008	Spring Washer STL ZP M8	2	
63	4311-00008	Hex Nut M8	2	
64	4933-00105	PVC Hose 5/16"x30M	185MM	
65	4925-09013	Orbital Hose Clip 9-13MM	2	
66	6780-062	Cock	1	
67	6720-074	Plastic Tank	1	

	Part No.	Description	Qty	HONDA ENGINE		ROBIN ENGINE	
				5025 GX160QHP	5027 GX160SX	5131 EY20DU	5132 EY20D
(a)	4732114019	Clutch Pulley 19MM for Plate Compactor	1	✓		✓	
	4732114020	Clutch Pulley 20MM for Plate Compactor			✓		✓
(b)	4212-05016	Hex Bolt, Zinc UNF 5/16" x 1"L	1	✓			
	4212-06016	Hex Bolt, Zinc UNF 3/8" x 1"L				✓	
	4211-08025	Hex Bolt M8x25L			✓		✓
(c)	4917-00010	Throttle Lever - L/H (Plastic)	1	✓	✓		
	4917-00020	Throttle Lever - R/H (Plastic)				✓	✓
(d)	4921-00000	Pull Back Spring	1	✓	✓		
	4921-00001	Pull Back Spring Assembly				✓	✓

**Feature and Design are subjected to change without prior notice.